

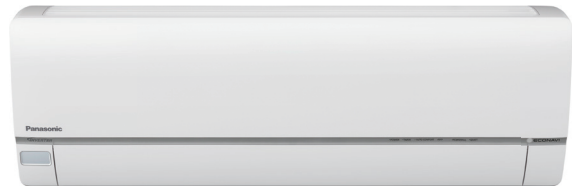
Split System Submittal Data

System: **RE9SKUA** Indoor: **CS-RE9SKUA** Outdoor: **CU-RE9SKUA**
 Single Zone Heat Pump Wall Mounted

Job Name: _____
 Location: _____
 Engineer: _____
 Submitted to: _____
 Submitted by: _____
 Reference: _____

Approval: _____
 Date: _____
 Construction: _____
 Unit#: _____
 Drawing#: _____

General Data	
Power (V/P/Hz)	230/208/1/60
Circuit Ampacity (A)	15
Fuse Size, Max. (A)	15
Compressor	
	DC Rotary (Inverter)
No. Used	1
Motor Type (No. of poles)	DC Brushless (6 poles)
Output Power (W)	700
Outdoor Unit	
Fan Type	Propeller
No. Speeds	Variable speed
Type Drive	Direct / DC Motor
No. Poles (RPM)	8-750
No. Motors (W)	1-40
CFM (Hi speed)	1050
Coil Type	
	Aluminum Fin Blue Coated
Fin Type - Pipe Type	Corrugated Fin
Rows x stage x F.P.I.	2 x 24 x 17
Size (W x H x L)	1-13/32 x 19-13/16 x 28-1/16
Tube Size (in.)	9/32
Indoor Unit	
Fan Type	Cross Flow
Motor Type, No. of Poles	DC Brushless 8 poles
No. Speeds	Variable speed
RPM (Cool / Heat), High	1210/1340
No. Motors (W)	1-47
CFM (Qlo/Lo/Me/Hi/SHi) Cooling	207/250/334/425/479
CFM (Qlo/Lo/Me/Hi/SHi) Heating	245/286/371/455/476
Operating Sound-H/L/QLo/ dB-A (Cool)	43/30/25
Operating Sound-H/L/QLo/ dB-A (Heat)	43/35/32
Coil Type	
	Aluminum (Pre Coat)
Fin Type - Pipe Type	Slit Fin
Row x stage x FPI	2 x 15 x 21
Size	1 x 12-13/32 x 24
Tube Size (in.)	9/32"
Drain Connection Size (in.)	5/8"
Refrigerant	R410A
OZ. - R410a (outdoor unit)	31.8



Refrigerant Control	Electronic Expansion Valve
Refrigerant Tubing Connections	Flare
Line Length, Max (ft.)	49.2
Elevation Difference, Max (ft.)	49.2
Line Size (in. O.D. Discharge)	1/4"
Line Size (in. O.D. Suction)	3/8"
Pre-charge, tubing length at shipment	24.6'
Dimensions (H x W x D)	
Indoor Unit (Uncrated) (in.)	11-7/16 x 34-9/32 x 8-7/16
Outdoor Unit (Uncrated) (in.)	21-11/32 x 30-23/32 x 11-13/32
Weight (lbs.)	
(Indoor) Net	20lb
(Outdoor) Net	75lb

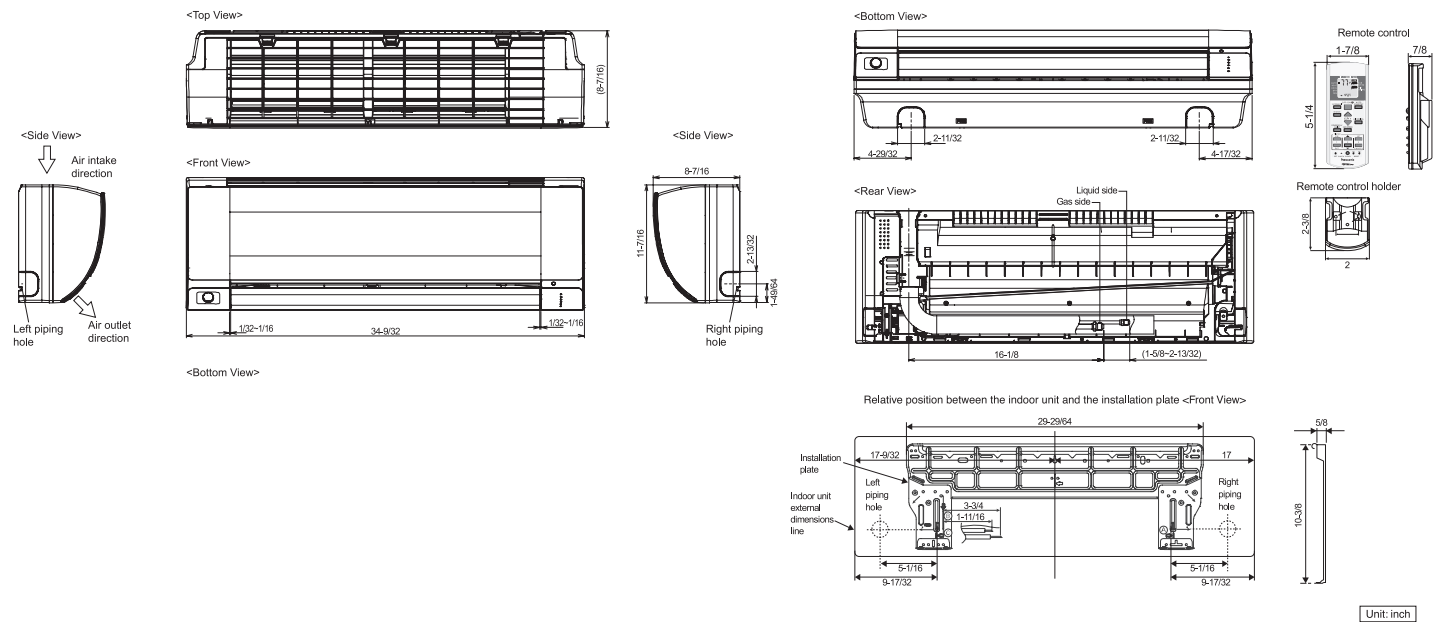
Performance Data @ ARI Standard Conditions	
High Heating@47° (BTU/H)	10,900
Low Heating@17° (BTU/H)	8,800
Cooling	
Total Capacity (BTU/H)	9,000 (4,100-10,200)
Sensible Capacity (BTU/H)	8,560
Latent Capacity (BTU/H)	440
SEER	16
Dehumidification (Pints/H)	1.3
Amps (A)	3.8
Power Input (W)	860
Outdoor Sound Rating (dB-A)	47
Heating	
Total Capacity (BTU/H)	110,900 (4,100-14,100)
HSPF	8.50
Amps (A)	4.2
Power Input (W)	950
Outdoor Sounds Rating (dB-A)	49

Features	
Controls	Microprocessor
Remote Controller	LCD Wireless Type included as standard
Wired Remote Controller	Not Available
Temperature Control	IC Thermistor
Timer	Single Event Daily ON/OFF TIMER
Quiet mode	Included
High Power mode	Included
Air Louver, Horizontal	Automatic, Sweep, Step
Air Louver, Vertical	Automatic, Sweep, Step
Power Failure Automatic Restart	Built-In
Heating/Cooling Automatic Changeover	Built-In
Self-Diagnosis	Built-In
Air Filter	Washable, One-touch

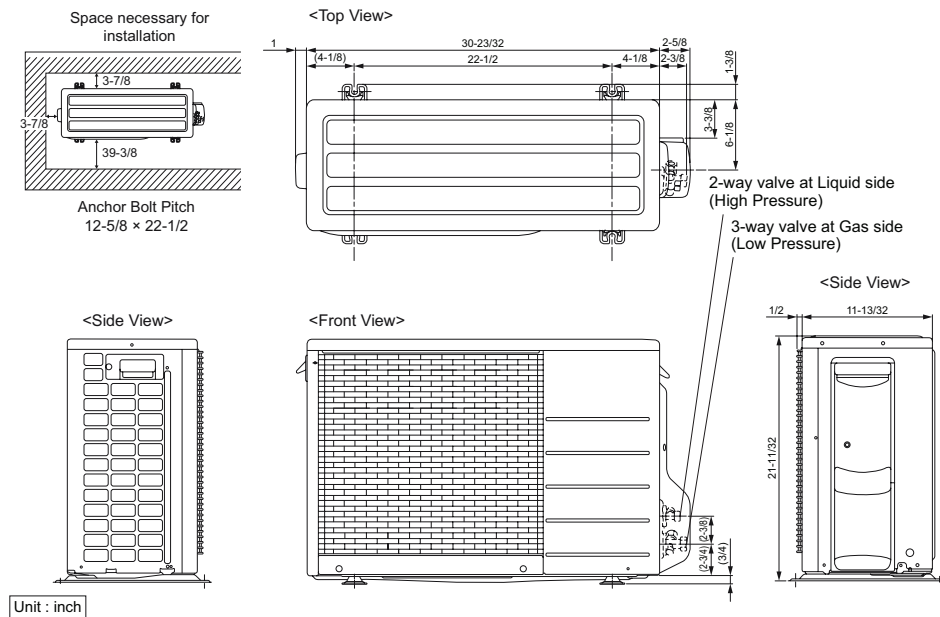
Operating Range	Indoor Air Intake Temp	Outdoor Air Intake Temp
Cooling (Max)	89.6F DB/73.4F WB	114.8F DB
Cooling (Min)	60.8F DB/51.8F WB	0F DB
Heating (Max)	86.0F DB	75.2F DB/64.4F WB
Heating (Min)	60.8 DB	-4.0F DB/-2.2F WB



Indoor Dimensions



Outdoor Dimensions



Panasonic

Panasonic North America
Air Conditioning Division
1690 Roberts Blvd., NW, Suite 110
Kennesaw, GA 30144
business.panasonic.com/hvac