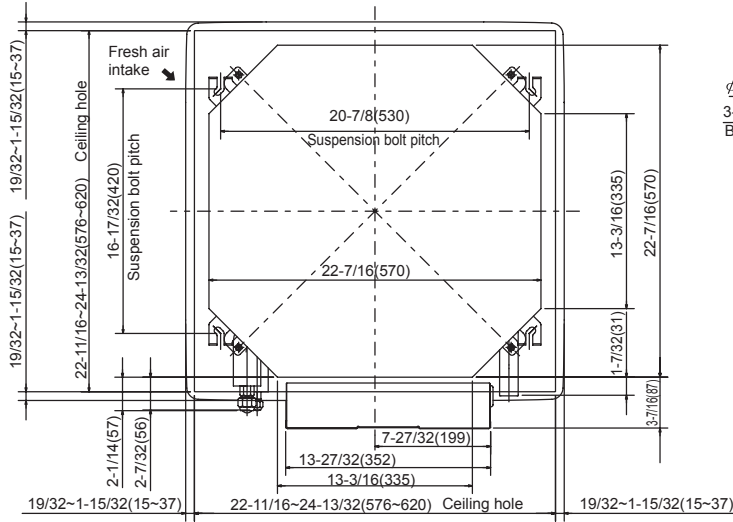
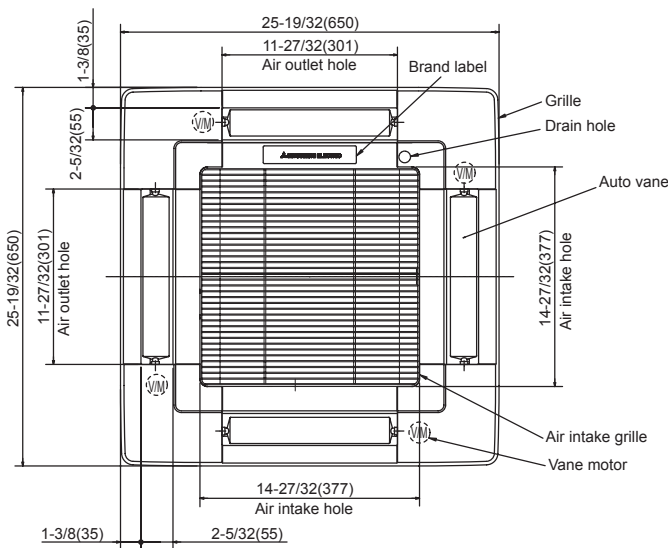
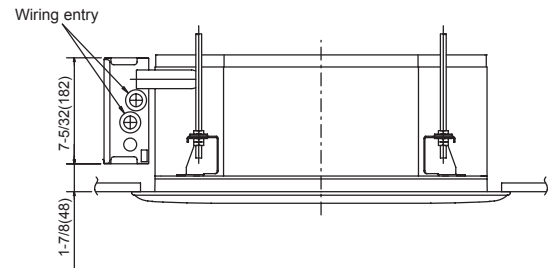
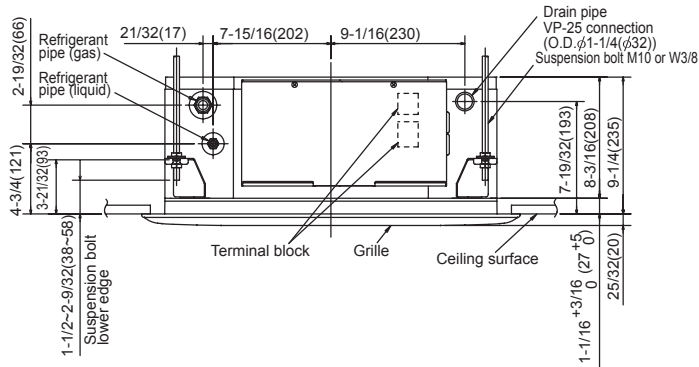
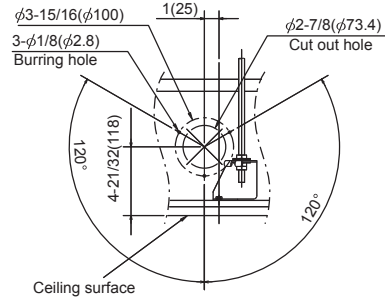


DIMENSIONS: SLZ-KA09NA

Unit : inch (mm)



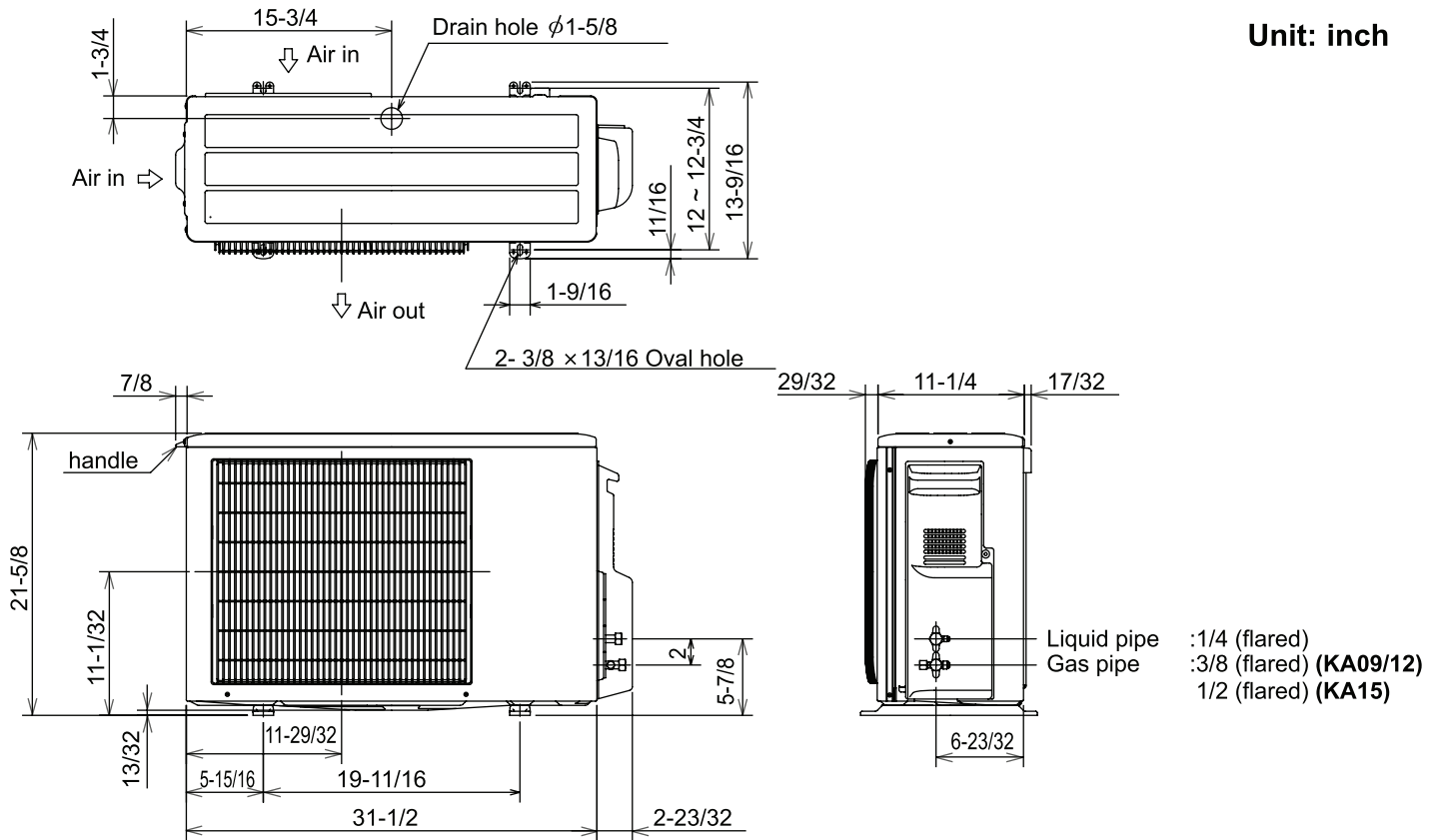
Detail drawing of fresh air intake



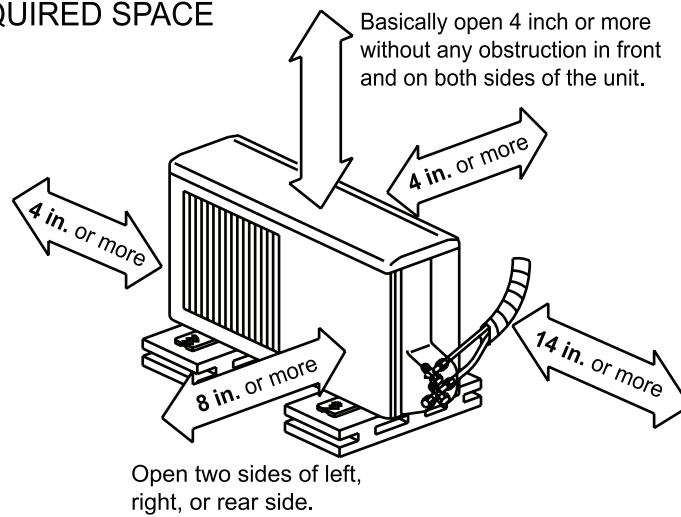
Models	Refrigerent pipe (liquid)	Refrigerent pipe (gas)
SLZ-KA09NA	1/4 inch (ϕ 6.35mm) flared connection	3/8 inch (ϕ 9.52mm) flared connection
SLZ-KA12NA	1/4 inch (ϕ 6.35mm) flared connection	3/8 inch (ϕ 9.52mm) flared connection
SLZ-KA15NA	1/4 inch (ϕ 6.35mm) flared connection	1/2 inch (ϕ 12.7mm) flared connection

DIMENSIONS: SUZ-KA09NA

Unit: inch



REQUIRED SPACE



COOLING & HEATING

1340 Satellite Boulevard, Suwanee, GA 30024
 Toll Free: 800-433-4822 www.mehvac.com

