

# **SERVICE PARTS LIST FOR MITSUBISHI ELECTRIC PACKAGED AIR-CONDITIONERS**

**Series : SEZ-KD•NAR1.TH  
SEZ-KD•NA4R1.TH**

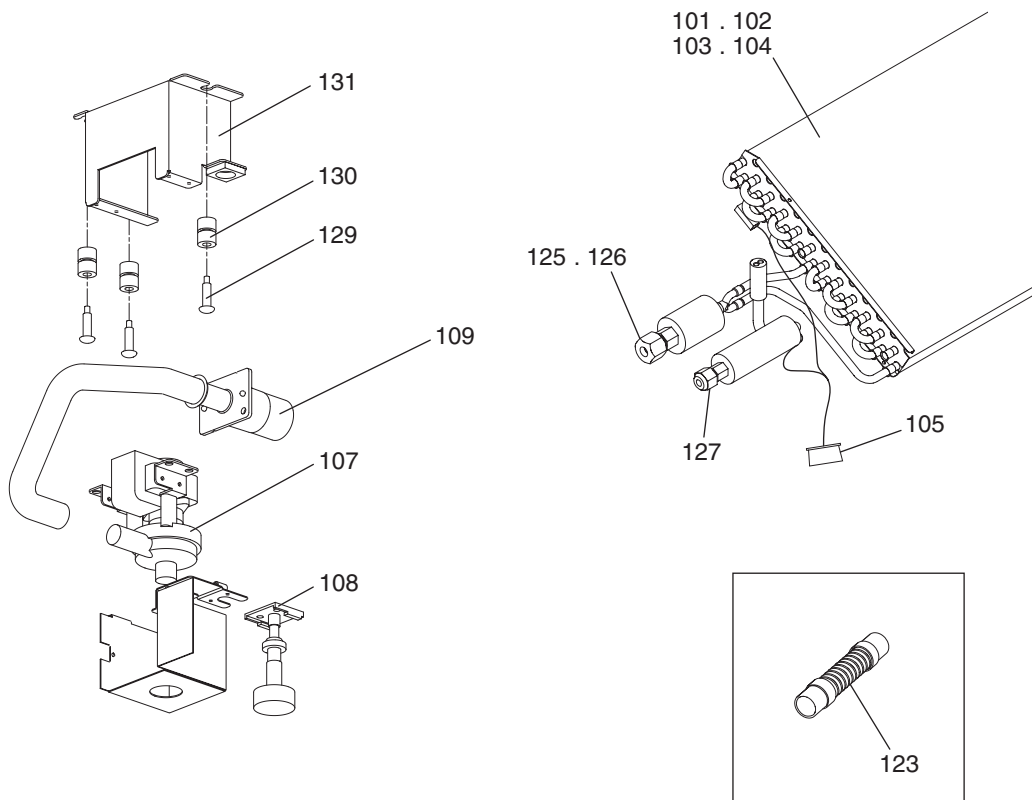
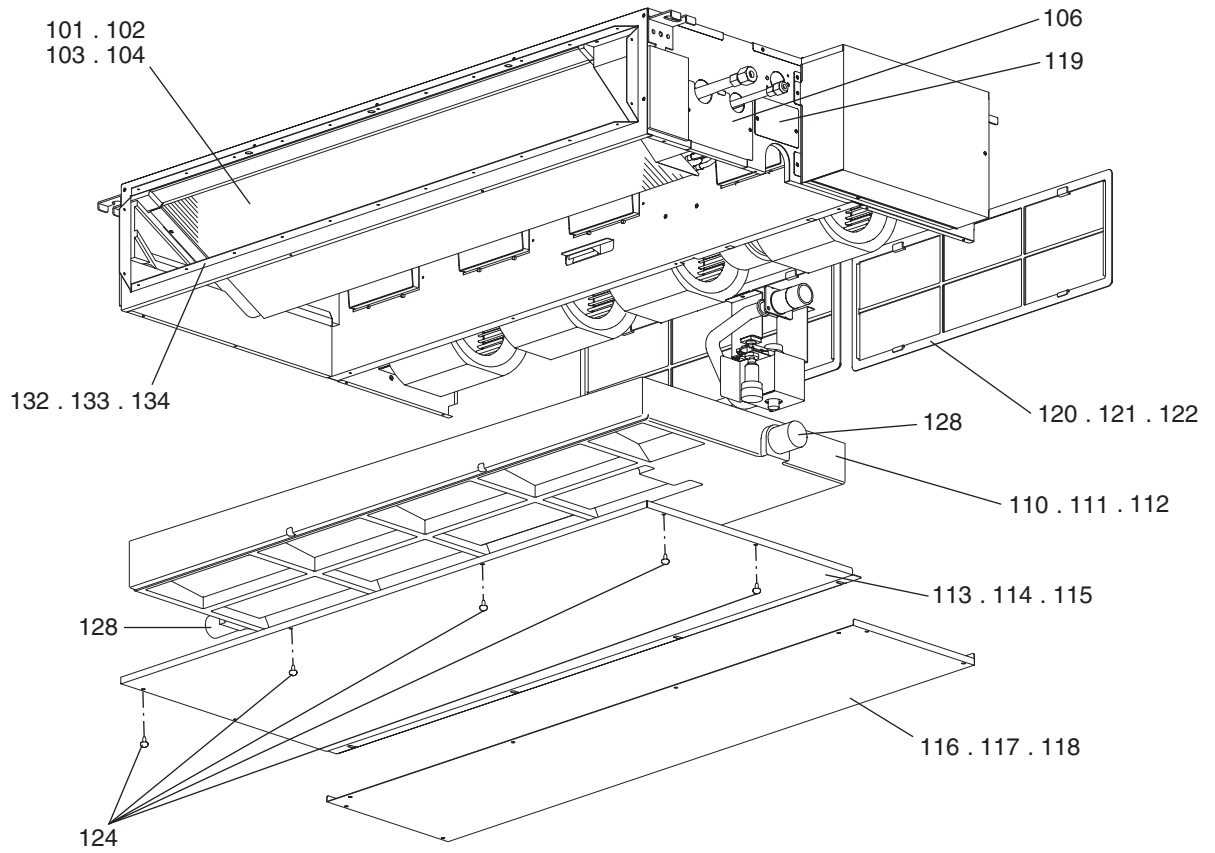
**Mar. 2012**

**BWE11470**

<b>INDEX</b>
<b>SEZ-KD09NAR1.TH</b>
<b>SEZ-KD12NAR1.TH</b>
<b>SEZ-KD15NAR1.TH</b>
<b>SEZ-KD18NAR1.TH</b>
<b>SEZ-KD09NA4R1.TH</b>
<b>SEZ-KD12NA4R1.TH</b>
<b>SEZ-KD15NA4R1.TH</b>
<b>SEZ-KD18NA4R1.TH</b>

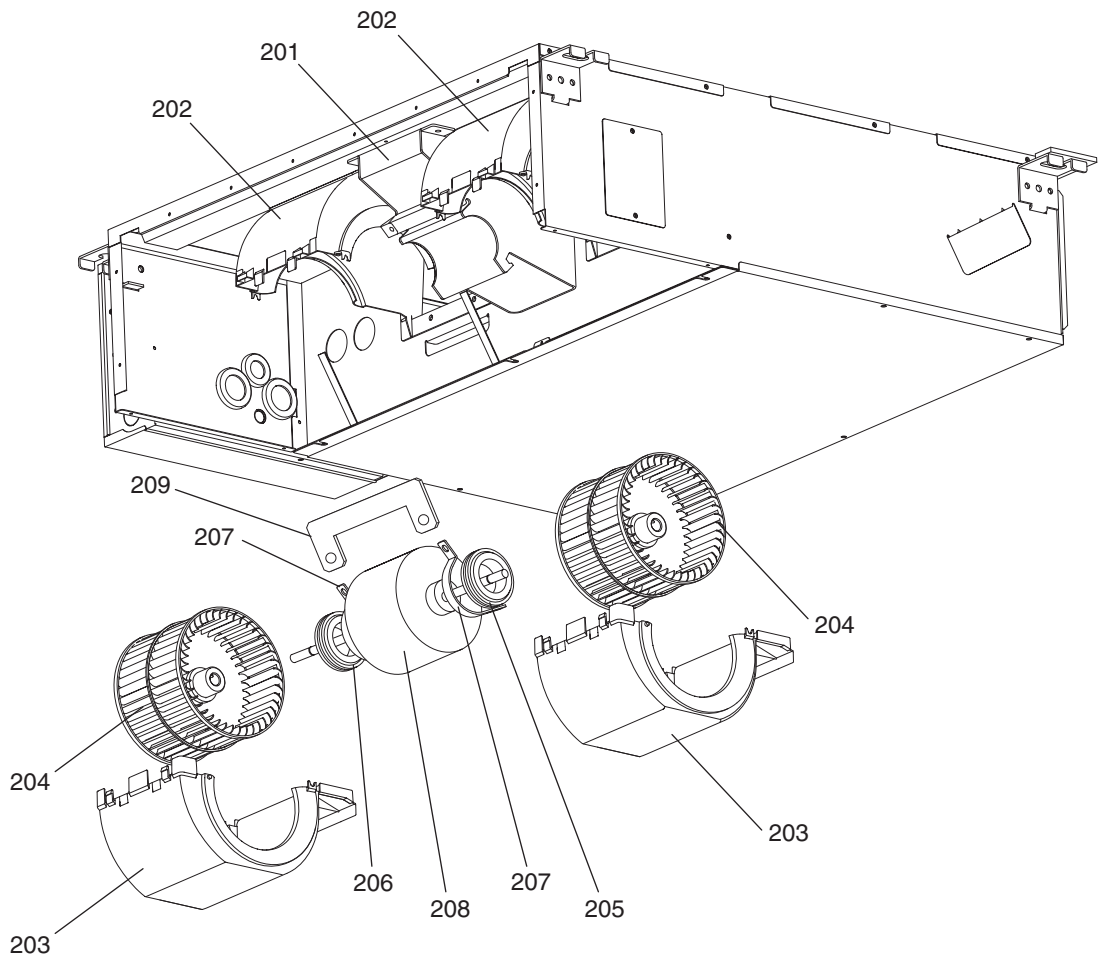
SEZ-KD09,KD12,KD15,KD18NAR1.TH  
SEZ-KD09,KD12,KD15,KD18NA4R1.TH

EXTERNAL PARTS

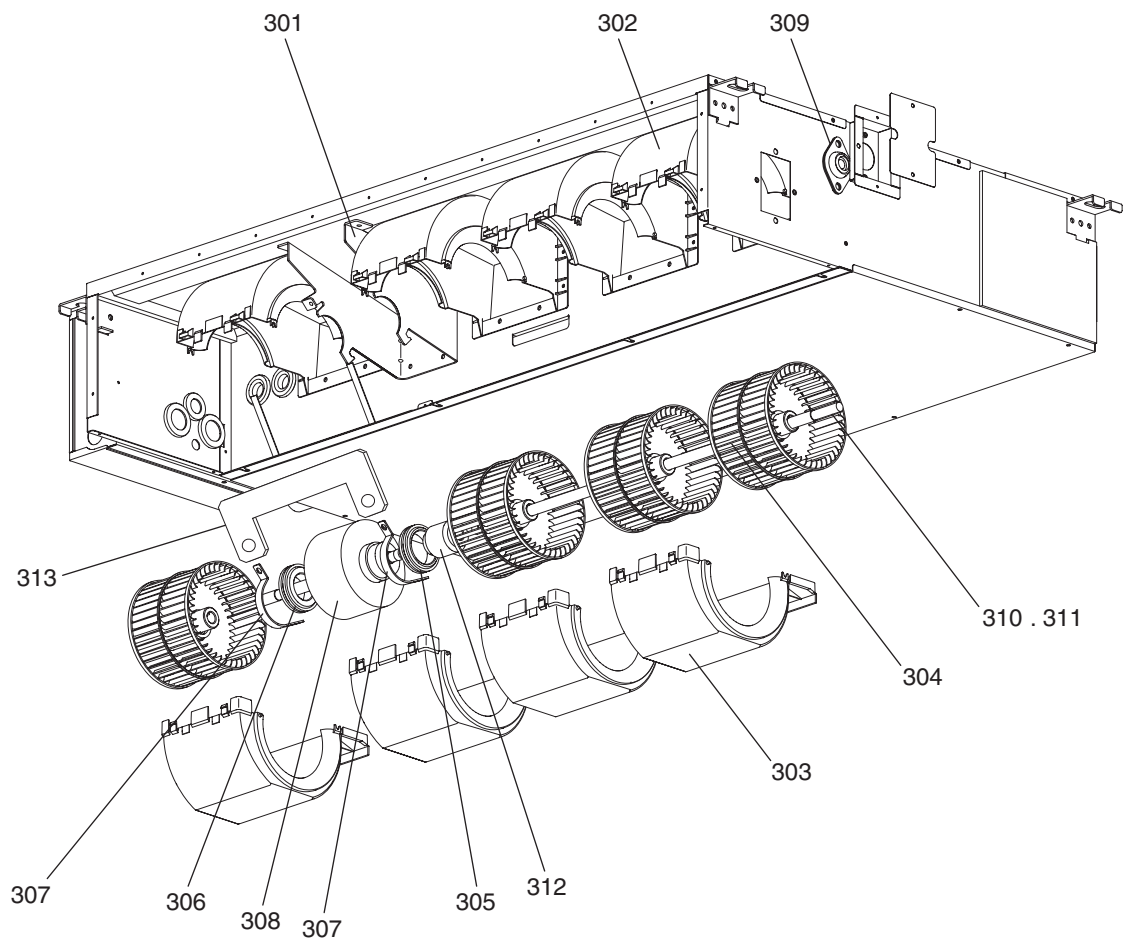


No.	Part No.	G : RoHS Apply Only W : RoHS Apply by Running Change		Spec.	SEZ-KD09NAR1.TH	SEZ-KD12NAR1.TH	SEZ-KD15NAR1.TH	SEZ-KD18NAR1.TH	SEZ-KD09NA4R1.TH	SEZ-KD12NA4R1.TH	Dwg. No.	Notes for the models	Revision info.
		Part Name											
101	E17 319 620	G	HEAT EXCHANGER	<K25>	1					1	KB00A073B01		
102	E17 320 620	G	HEAT EXCHANGER	<K35>		1				1	KB00A076B01		
103	E17 321 620	G	HEAT EXCHANGER	<K50>			1				KB00A076B02		
104	E17 531 620	G	HEAT EXCHANGER	<K60>				1			KB00A078B03		
105	E17 319 307	G	THERMISTOR		1	1	1	1	1	1	RG71V202G01		
106	E17 319 690	G	COVER PIPE ASSY		1	1	1	1	1	1	KB00H214G02		
107	E17 409 355	G	PUMP	PLD	1	1	1	1	1	1	KB56B515H02		
108	E17 409 145	G	FLOAT SWITCH		1	1	1	1	1	1	BH68C952H02		
109	E17 409 704	G	SOCKET ASSY		1	1	1	1	1	1	KB00G754G01		
110	E17 472 700	G	DRAIN PAN S ASSY		1					1	KB00G775G16		
111	E17 475 700	G	DRAIN PAN M ASSY			1	1				KB00G775G17		
112	E17 477 700	G	DRAIN PAN L ASSY					1			KB00G775G18		
113	E17 472 717	G	PANEL UNDER 1 S ASSY		1					1	KB00G776G10		
114	E17 475 717	G	PANEL UNDER 1 M ASSY			1	1				KB00G776G11		
115	E17 477 717	G	PANEL UNDER 1 L ASSY					1			KB00G776G12		
116	E17 319 718	G	PANEL UNDER 2 S		1					1	KB02B455G02		
117	E17 320 718	G	PANEL UNDER 2 M			1	1			1	KB02B457G01		
118	E17 326 718	G	PANEL UNDER 2 L					1			KB02A071G02		
119	E17 409 690	G	COVER ASSY		1	1	1	1	1	1	KB00H222G03		
120	E17 319 100	G	FILTER 15		1					1	KB35B272G02		
121	E17 320 100	G	FILTER 40			1	1				KB35B207G02		
122	E17 326 100	G	FILTER 63					2			KB35B208G02		
123	E17 319 702	G	DRAIN HOSE		1	1	1	1	1	1	KB27T150H02		
124	E17 319 250	G	SCREW ASSY		4	5	5	5	4	5	KB12H389G01		
125	E17 321 660	G	NUT FLARE	1/2			1	1			BG12S008H01		
126	E17 319 660	G	NUT FLARE	3/8	1	1				1	Z211A143H06		
127	E17 320 660	G	NUT FLARE	1/4	1	1	1	1	1	1	Z211A143H01		
128	E17 414 524	G	PLUG	RUBBER	2	2	2	2	2	2	KB26H049H01		
129	E17 548 250	G	SCREW SPECIAL	M4 x 6	3	3	3	3	3	3	Z003Z333H05		
130	DB26F013L01	G	CUSHION		3	3	3	3	3	3	DB26F013L01		
131	KB00M769G02	G	ATTACHMENT PUMP		1	1	1	1	1	1	KB00M769G02		
132	E17 528 800	G	PANEL DUCT S ASSY		1					1	KB00G751G07		
133	E17 529 800	G	PANEL DUCT M ASSY			1	1				KB00G751G08		
134	E17 531 800	G	PANEL DUCT L ASSY					1			KB00G751G09		



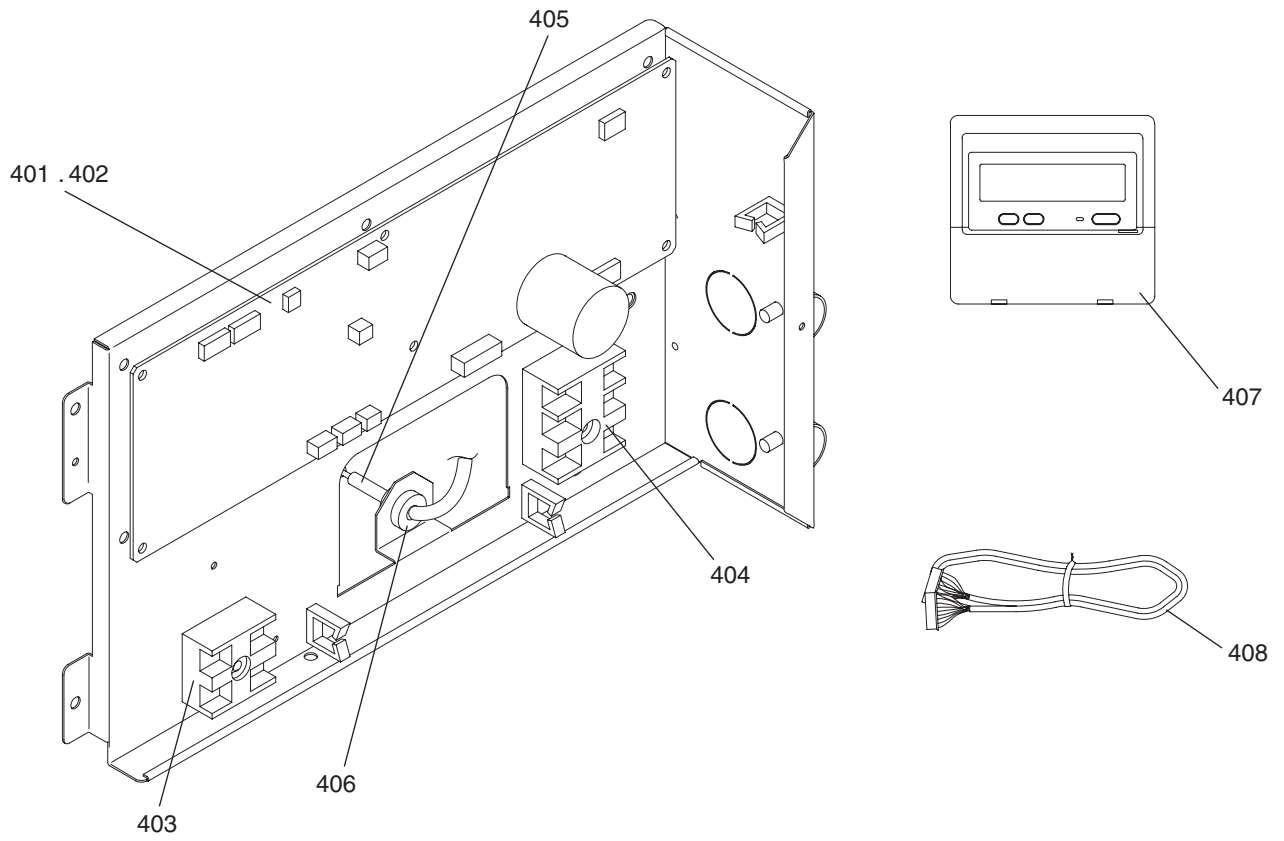
















**mitsubishi electric corporation**  
HEAD OFFICE: TOKYO BLDG., 2-7-3, MARUNOUCHI, CHIYODA-KU, TOKYO 100-8310, JAPAN

---

BWE11470 (20120331)