

Job Name:	
System Reference:	Date:



Indoor Unit: MSY-GL24NA-U1



Wireless Remote Controller



Outdoor Unit: MUY-GL24NA-U1

### ACCESSORIES:

#### Indoor Unit

- Condensate Pump (BlueDiamond X87-711/721; 115/230V)
- Condensate Pump (Sauermann SI30-115/230; 115/230V)
- Anti-Allergy Enzyme Filter (MAC-408FT-E)
- Drain Pan Level Sensor (DPLS2)

#### Outdoor Unit

- Outdoor Mounting Pad (ULTRILITE1)
- Drain Pan Heater (MAC-642BH-U)
- 3-1/4" Mounting Base [Pair] (DSD-400P)
- Drain Pan Socket (MAC-851DS)
- Air Outlet Guide (MAC-886SG-E)
- Wall Mounting Bracket (QSWB2000M-1)

#### Controls

- Wireless Controller (MHK1)
- Wired Remote Controller PAR-31MAA (Requires MAC-333IF-E)
- Wireless Interface for kumo cloud™ (PAC-WHS01WF-E)
- Thermostat Interface (PAC-US444CN-1)

### SPECIFICATIONS:

#### Rated Conditions (Capacity / Input)

Cooling <sup>1</sup>	Btu/h / W	22,500 / 1,800
----------------------	-----------	----------------

Capacity Range	Minimum	Maximum
----------------	---------	---------

Cooling <sup>1</sup>	Btu/h	8,200	31,400
----------------------	-------	-------	--------

<sup>1</sup> Cooling | Indoor: 80° F(27° C)DB / 67° F(19° C)WB; Outdoor: 95° F(35° C)DB / 75° F(24° C)WB  
<sup>\*</sup> Rating Conditions per AHRI Standard:

#### Operating Conditions (Indoor Intake Air Temp.) (Max./ Min.)

Cooling <sup>2</sup>	90° F (32° C) DB / 67° F (19° C) DB
----------------------	-------------------------------------

#### Operating Conditions (Outdoor Intake Air Temp.) (Max./ Min.)

Cooling <sup>2</sup>	115° F (46° C) DB / 14° F (-10° C) DB
----------------------	---------------------------------------

<sup>2</sup> Applications should be restricted to comfort cooling only; equipment cooling applications are not recommended for low ambient temperature conditions.

#### AHRI Efficiency Ratings

SEER	20.5
------	------

#### Energy Star®

Yes

ENERGY STAR products are third-party certified by an EPA-recognized Certification Body.

Electrical Power Requirements	208 / 230V, 1-Phase, 60 Hz
-------------------------------	----------------------------

#### Minimum Circuit Ampacity (MCA)

Indoor / Outdoor	A	1 / 17.1
------------------	---	----------

#### Indoor Unit

Blower Motor (ECM)	F.L.A.	0.76
Blower Motor Output	W	55
SHF / Moisture Removal		0.75 / 5.1 pt./h
Field Drainpipe Size O.D.	In.(mm)	5/8 (15)

#### Outdoor Unit

Compressor	DC INVERTER-driven Twin Rotary
Fan Motor (ECM)	F.L.A. 0.93

#### Airflow Rate (Quiet - Lo - Med - Hi - Super Hi)

Indoor (Cooling)	DRY	CFM	388-469-544-628-738
	WET		347-420-487-562-661
Outdoor			1,769 / 1,701

#### Sound Pressure Level (Quiet - Lo - Med - Hi - Super Hi)

Indoor	Cooling	dB(A)	34-41-45-49-53
Outdoor	Cooling		55

#### External Dimensions

Indoor (H x W x D)	In.(mm)	12-13/16 x 43-5/16 x 9-3/8 (325 x 1,100 x 238)
Outdoor (H x W x D)		34-5/8 x 33-1/16 x 13 (880 x 840 x 330)

#### Net Weight

Indoor	Lbs.(kg)	37 (17)
Outdoor		119( 54)

#### External Finish

Indoor	Munsell 1.0Y 9.2 / 0.2
Outdoor	Munsell No. 3Y 7.8 / 1.1

Refrigerant	R410A; 4 lb. 3 oz.
-------------	--------------------

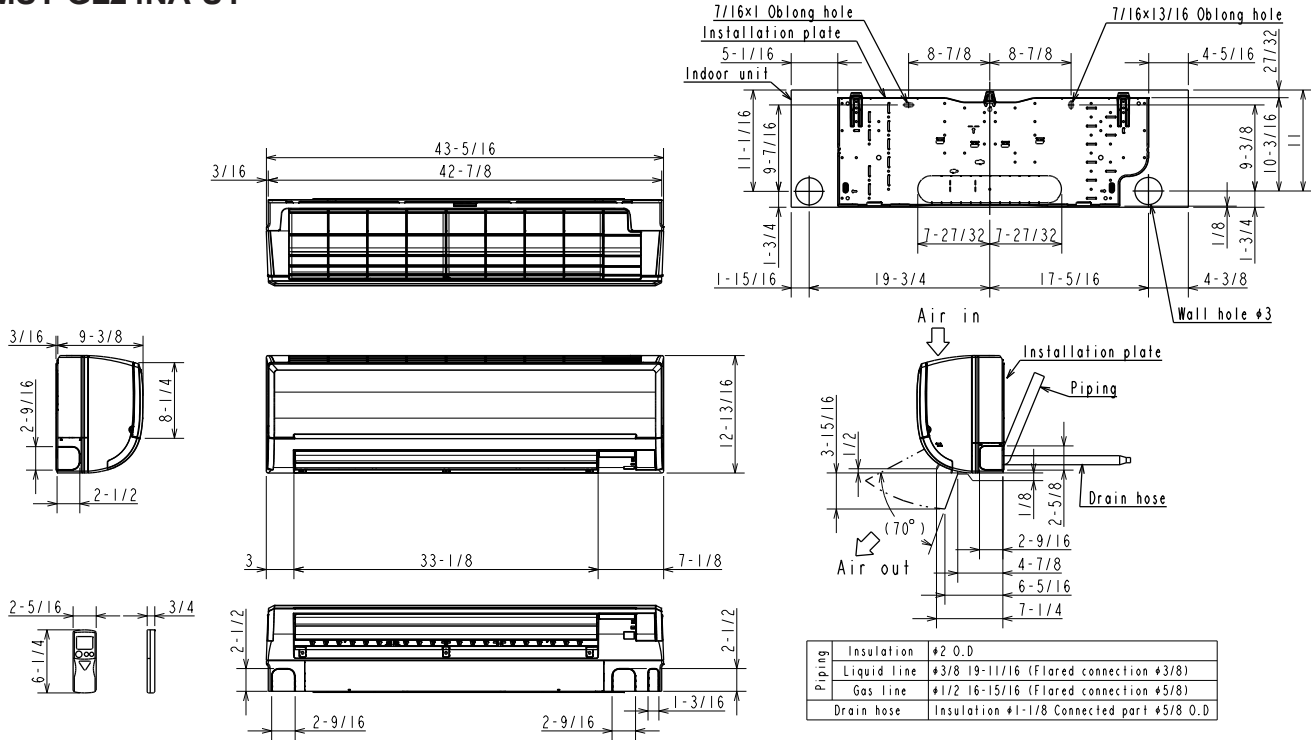
#### Refrigerant Piping (Flared)

Liquid (High Pressure)	In.(mm)	3/8 (9.52)
Gas (Low Pressure)		5/8 (15.88)
Max. Total Refrigerant Pipe Length (Height Diff.)	Ft. (m)	50 (15)
Max. Total Refrigerant Pipe Length (Length.)		100 (30)

# DIMENSIONS: MSY-GL24NA-U1 & MUY-GL24NA-U1

## MSY-GL24NA-U1

Unit: in. (mm)

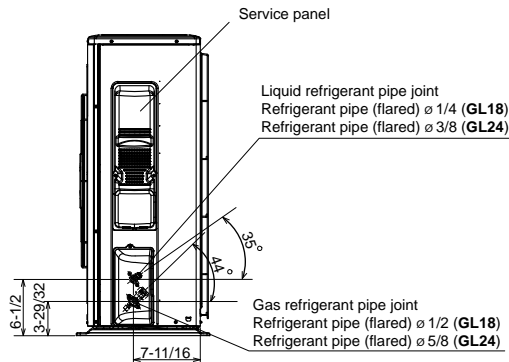
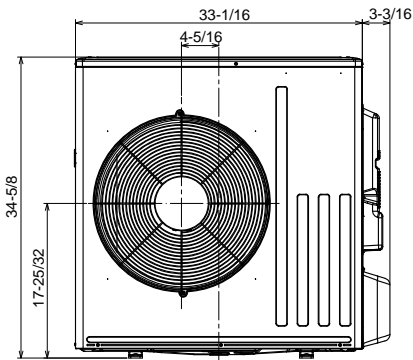
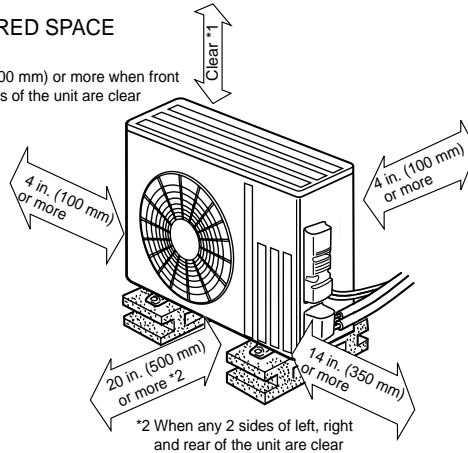
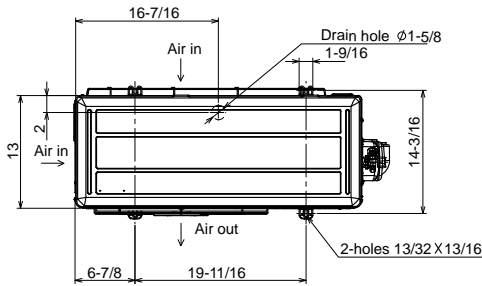


## MUY-GL24NA-U1

### REQUIRED SPACE

Unit: in. (mm)

\*1 20 in. (500 mm) or more when front and sides of the unit are clear



COOLING & HEATING

1340 Satellite Boulevard, Suwanee, GA 30024  
Toll Free: 800-433-4822 www.mehvac.com

