

| | |
|-------------------|-------|
| Job Name: | Date: |
| System Reference: | |



Indoor Unit: MSY-GL09NA-U1



Wireless Remote Controller



Outdoor Unit: MUY-GL09NA-U1

ACCESSORIES:

Indoor Unit

- Condensate Pump (BlueDiamond X87-711/721; 115/230V)
- Condensate Pump (Sauermann SI30-115/230; 115/230V)
- Anti-Allergy Enzyme Filter (MAC-408FT-E)
- Drain Pan Level Sensor (DPLS2)

Outdoor Unit

- Outdoor Mounting Pad (ULTRILITE1)
- Drain Pan Heater (MAC-640BH-U)
- 3-1/4" Mounting Base [Pair] (DSD-400P)
- Drain Pan Socket (MAC-860DS)
- Air Outlet Guide (MAC-889SG)
- Wall Mounting Bracket (QSWB2000M-1)

Controls

- Wireless Controller (MHK1)
- Wired Remote Controller PAR-31MAA (Requires MAC-333IF-E)
- Wireless Interface for kumo cloud™ (PAC-WHS01WF-E)
- Thermostat Interface (PAC-US444CN-1)

SPECIFICATIONS:

Rated Conditions (Capacity / Input)

| | | |
|----------------------|-----------|-------------|
| Cooling ¹ | Btu/h / W | 9,000 / 585 |
|----------------------|-----------|-------------|

| Capacity Range | | Minimum | Maximum |
|----------------------|-------|---------|---------|
| Cooling ¹ | Btu/h | 3,800 | 12,200 |

¹ Cooling | Indoor: 80° F(27° C)DB / 67° F(19° C)WB; Outdoor: 95° F(35° C)DB / 75° F(24° C)WB
^{*} Rating Conditions per AHRI Standard:

Operating Conditions (Indoor Intake Air Temp.) (Max./ Min.)

| | |
|----------------------|-------------------------------------|
| Cooling ² | 90° F (32° C) DB / 67° F (19° C) DB |
|----------------------|-------------------------------------|

Operating Conditions (Outdoor Intake Air Temp.) (Max./ Min.)

| | |
|----------------------|---------------------------------------|
| Cooling ² | 115° F (46° C) DB / 14° F (-10° C) DB |
|----------------------|---------------------------------------|

² Applications should be restricted to comfort cooling only; equipment cooling applications are not recommended for low ambient temperature conditions.

AHRI Efficiency Ratings

| | |
|------|------|
| SEER | 24.6 |
|------|------|

Energy Star®

Yes

ENERGY STAR products are third-party certified by an EPA-recognized Certification Body.

| | |
|-------------------------------|----------------------------|
| Electrical Power Requirements | 208 / 230V, 1-Phase, 60 Hz |
|-------------------------------|----------------------------|

Minimum Circuit Ampacity (MCA)

| | | |
|------------------|---|-------|
| Indoor / Outdoor | A | 1 / 7 |
|------------------|---|-------|

| Indoor Unit | | |
|---------------------------|---------|-------------------|
| Blower Motor (ECM) | F.L.A. | 0.76 |
| Blower Motor Output | W | 30 |
| SHF / Moisture Removal | | 0.820 / 1.5 pt./h |
| Field Drainpipe Size O.D. | In.(mm) | 5/8 (15) |

| Outdoor Unit | | |
|-----------------|--------|--------------------------------|
| Compressor | | DC INVERTER-driven Twin Rotary |
| Fan Motor (ECM) | F.L.A. | 0.5 |

| Airflow Rate (Quiet - Lo - Med - Hi - Super Hi) | | | |
|---|-----|-----|---------------------|
| Indoor (Cooling) | DRY | CFM | 145-170-237-321-399 |
| | WET | | 109-134-201-286-364 |
| Outdoor | | | 1,229 / 1,172 |

| Sound Pressure Level (Quiet - Lo - Med - Hi - Super Hi) | | | |
|---|---------|-------|----------------|
| Indoor | Cooling | dB(A) | 19-22-30-37-43 |
| Outdoor | Cooling | | 48 |

| External Dimensions | | |
|---------------------|---------|---|
| Indoor (H x W x D) | In.(mm) | 11-5/8 x 31-7/16 x 9-1/8 (295 x 798 x 232) |
| Outdoor (H x W x D) | | 21-5/8 x 31-1/2 x 11-1/4 (550 x 800 x 285) |

| Net Weight | | |
|------------|----------|---------|
| Indoor | Lbs.(kg) | 22 (10) |
| Outdoor | | 81 (37) |

| External Finish | |
|-----------------|--------------------------|
| Indoor | Munsell 1.0Y 9.2 / 0.2 |
| Outdoor | Munsell No. 3Y 7.8 / 1.1 |

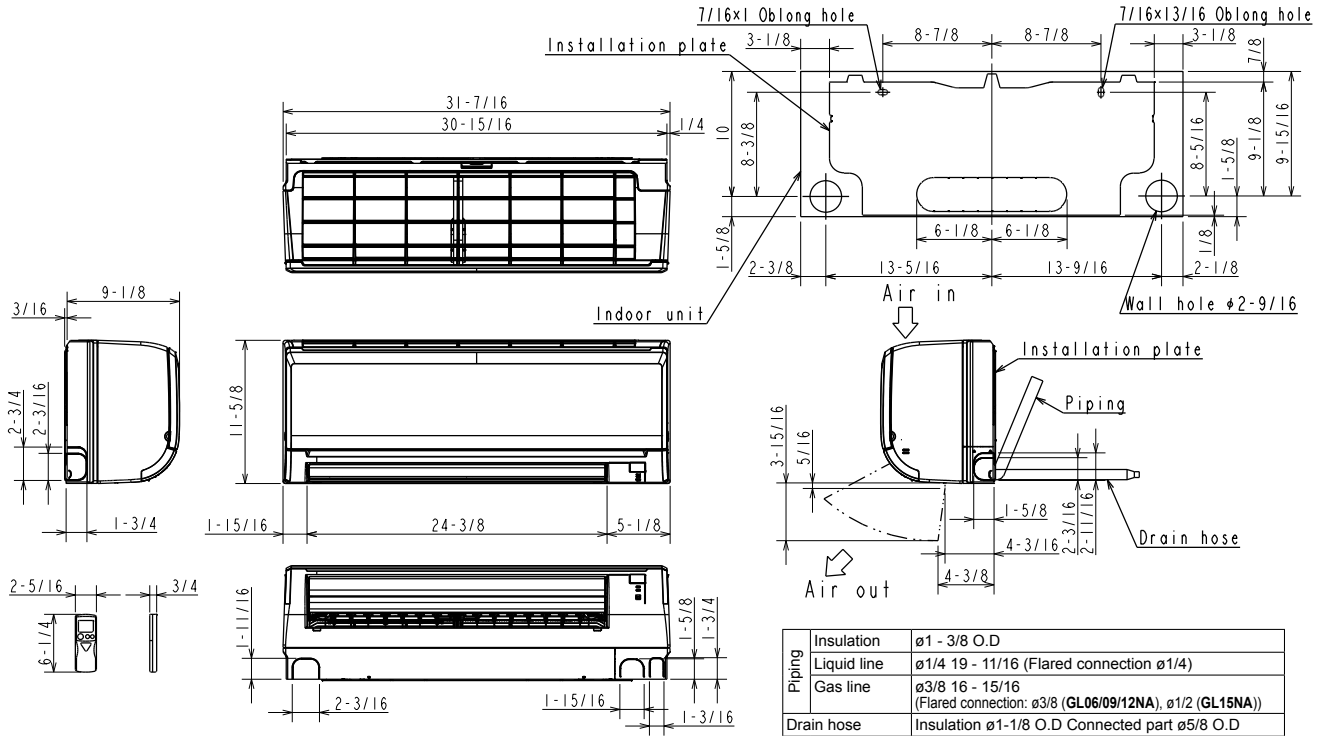
| | |
|-------------|--------------------|
| Refrigerant | R410A; 2 lb. 9 oz. |
|-------------|--------------------|

| Refrigerant Piping (Flared) | | |
|---|---------|------------|
| Liquid (High Pressure) | In.(mm) | 1/4 (6.35) |
| Gas (Low Pressure) | | 3/8 (9.52) |
| Max. Total Refrigerant Pipe Length (Height Diff.) | Ft. (m) | 40 (12) |
| Max. Total Refrigerant Pipe Length (Length.) | | 65 (20) |

DIMENSIONS: MSY-GL09NA-U1 & MUY-GL09NA-U1

MSY-GL09NA-U1

Unit: in. (mm)

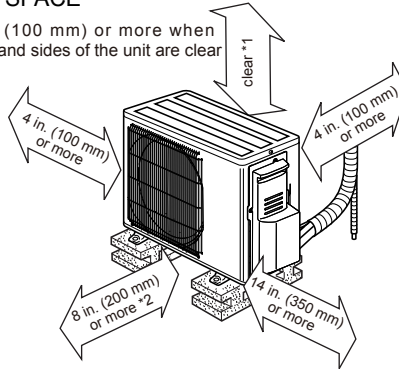


MUY-GL09NA-U1

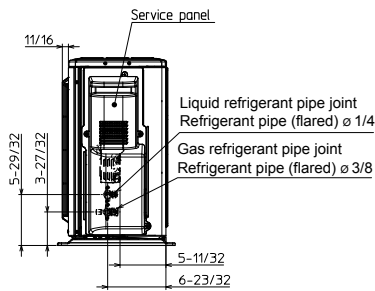
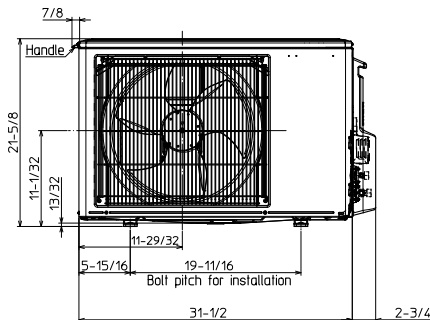
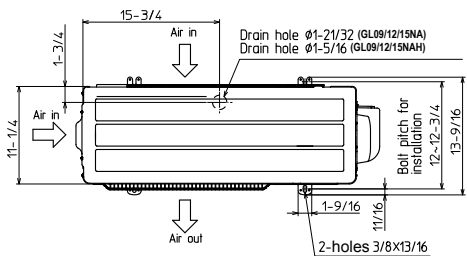
REQUIRED SPACE

Unit: in. (mm)

*1 4 in. (100 mm) or more when front and sides of the unit are clear



*2 When any 2 sides of left, right and rear of the unit are clear



COOLING & HEATING

1340 Satellite Boulevard, Suwanee, GA 30024
Toll Free: 800-433-4822 www.mehvac.com

