

SUBMITTAL DATA: MSZ-D36NA-8 & MUZ-D36NA-1
36,000 BTU/H WALL-MOUNTED HEAT-PUMP SYSTEM

Job Name:	Location:	Date:
Purchaser:	Engineer:	
Submitted to:	For <input type="checkbox"/> Reference <input type="checkbox"/> Approval <input type="checkbox"/> Construction	
System Designation:	Schedule No.:	



Indoor Unit: MSZ-D36NA-8



Wireless Remote Controller



Outdoor Unit: MUZ-D36NA-1

GENERAL FEATURES

- Catechin and anti-allergy enzyme filters for high air-purification capabilities
- Updated sleek, compact indoor unit design
- Remote-controlled wide airflow enables ideal horizontal air distribution
- Self-check function—onboard diagnostics
- Advanced microprocessor control
- Auto restart following a power outage
- Hand-held Wireless Remote Controller
- Anti-allergy Enzyme Filter
- Limited warranty: five years parts and seven years compressors

ACCESSORIES
Outdoor Unit

- Drain Socket Assembly (MAC-811DS)

Indoor Unit

- Condensate Pump (230V; SI3100-230)

Controller Options

- Wireless Remote Controller Kit (MHK1)*
 - Portable Controller (MCCH1)*
 - Outdoor Air Sensor (MOS1)*
- *See Submittal for information on each option.
- Wired Wall-mounted Controller (PAR-21MAAU requires MAC-333IF)
 - System Control Interface (MAC-333IF)



SPECIFICATIONS: MSZ-D36NA-8 & MUZ-D36NA-1

Cooling*

Rated Capacity 33,200 Btu/h
 Minimum Capacity 9,800 Btu/h
 SEER 14.5 Btu/h/W
 Total Input 4,360 W

Heating at 47° F*

Rated Capacity 35,200 Btu/h
 Minimum Capacity 8,700 Btu/h
 HSPF 8.2 Btu/h/W
 Total Input 3,840 W

Heating at 17° F*

Rated Capacity 21,800 Btu/h
 Maximum Capacity 22,800 Btu/h
 Maximum Total Input 3,000 W

* Rating Conditions per AHRI Standard

Cooling | Indoor: 80° F (27° C) DB / 67° F (19° C) WB
 Cooling | Outdoor: 95° F (35° C) DB / 75° F (24° C) WB
 Heating at 47° F | Indoor: 70° F (21° C) DB / 60° F (16° C) WB
 Heating at 47° F | Outdoor: 47° F (8° C) DB / 43° F (6° C) WB
 Heating at 17° F | Indoor: 70° F (21° C) DB / 60° F (16° C) WB
 Heating at 17° F | Outdoor: 17° F (-8° C) DB / 15° F (-9° C) WB

ELECTRICAL REQUIREMENTS

Power Supply 208 / 230V, 1-Phase, 60 Hz
 Breaker Size 25 A

Voltage

Indoor - Outdoor S1-S2 AC 208 / 230V
 Indoor - Outdoor S2-S3 DC ±24V
 Indoor - Remote Controller MHK1 DC 3V
 PAR-21MAAU DC 12V
 PAR-FL32MA DC 3V

OPERATING RANGE

		Indoor Intake Air Temp.	Outdoor Intake Air Temp.
Cooling	Maximum	90° F (32° C) DB 73° F (23° C) WB	115° F (46° C) DB
	Minimum	67° F (19° C) DB 57° F (14° C) WB	14° F (-10° C) DB
Heating	Maximum	80° F (27° C) DB 67° F (19° C) WB	75° F (24° C) DB 65° F (18° C) WB
	Minimum	70° F (27° C) DB 60° F (16° C) WB	14° F (-10° C) DB 13° F (-11° C) WB

Indoor Unit

MCA 1 A
 Blower Motor (ECM) 0.76 F.L.A.
 Airflow
 Cooling (Lo - Med - Hi - Powerful) 389 - 639 - 848 - 887 Dry CFM
 350 - 576 - 763 - 798 Wet CFM
 Heating (Lo - Med - Hi - Powerful) . 445 - 639 - 848 - 887 Dry CFM

Sound Pressure Level

Cooling (Lo - Med - Hi - Powerful) 32 - 42 - 49 - 51 dB(A)
 Heating (Lo - Med - Hi - Powerful) 34 - 42 - 49 - 50 dB(A)

DIMENSIONS	UNIT INCHES / MM
W	46-1/16 / 1,170
D	11-5/8 / 295
H	14-3/8 / 365

Weight 40 lbs. / 18 kg
 External Finish Munsell No. 1.0Y 9.2 / 0.2
 Field Drainpipe Size O.D. 5/8" / 15.88 mm
 Remote Controller Wireless

Outdoor Unit

Compressor DC Inverter-driven Rotary
 MCA 21 A
 Fan Motor (ECM) 0.93 F.L.A.
 Sound Pressure Level
 Cooling 56 dB(A)
 Heating 57 dB(A)

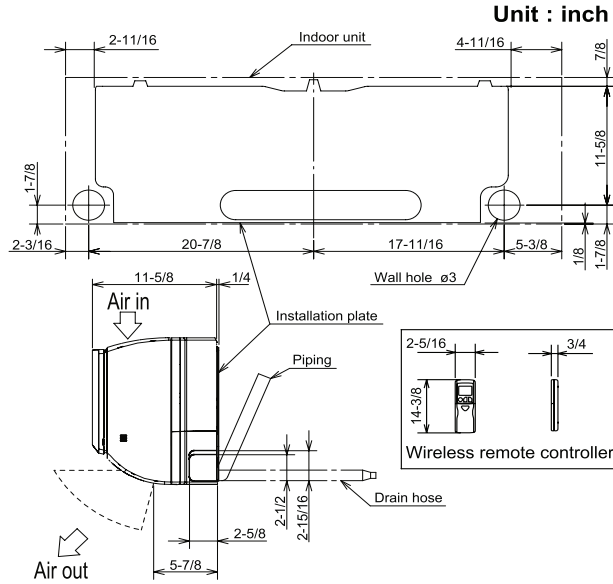
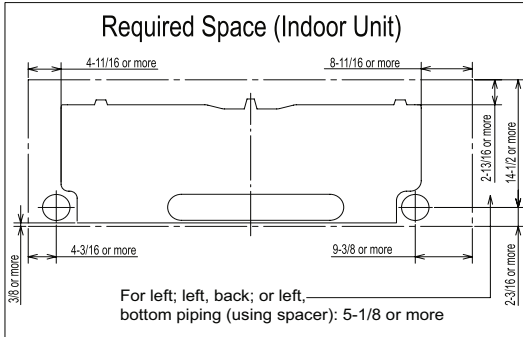
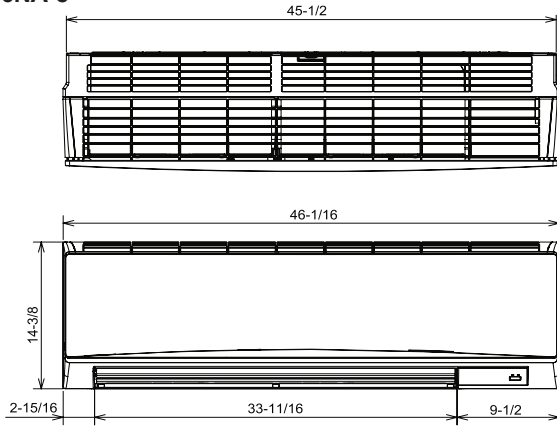
DIMENSIONS	INCHES / MM
W	33-1/16 / 840
D	13 / 330
H	33-7/16 / 849

Weight 141 lbs. / 64 kg
 External Finish Munsell No. 3Y 7.8 / 1.1
 Refrigerant Type R410A
 Refrigerant Pipe Size O.D.
 Gas Side 5/8" / 15.88 mm
 Liquid Side 3/8" / 9.53 mm
 Max. Refrigerant Pipe Length 100' / 30 m
 Max. Refrigerant Pipe Height Difference 50' / 15 m
 Connection Method Flared

Notes:

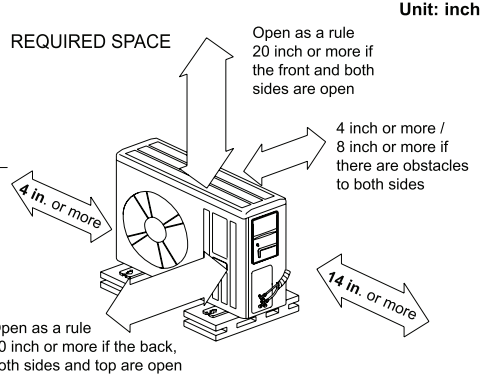
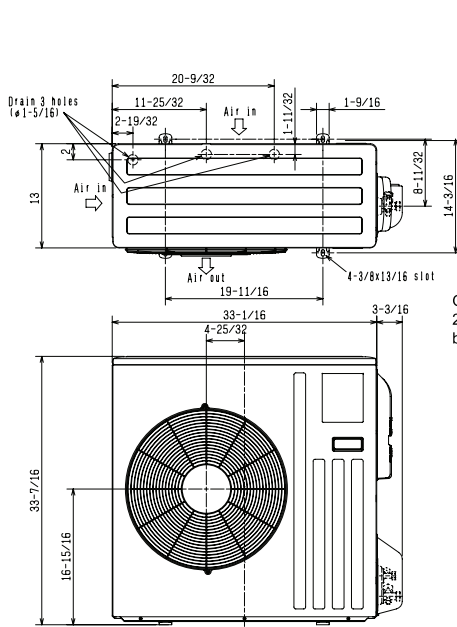
DIMENSIONS: MSZ-D36NA-8 & MUZ-D36NA-1

MSZ-D36NA-8



	Piping	Insulation
Liquid line	ø3/8 19-11/16 (Flared connection ø3/8)	ø1-1/4 O.D. ø9/16 I.D.
Gas line	ø5/8 16-7/8 (Joint connection ø5/8)	ø1-15/16 O.D. ø1-1/4 I.D.
Joint	ø5/8 (Flared connection ø5/8)	ø1-15/16 O.D. ø1-1/4 I.D.
Drain hose	Insulation ø1-1/8 Connected part ø9/16 O.D.	

MUZ-D36NA-1



Intertek



1340 Satellite Boulevard
Suwanee, GA 30024
Tele: 678-376-2900 • Fax: 800-889-9904
Toll Free: 800-433-4822
www.mehvac.com