

SUBMITTAL DATA: MSY-D30NA-8 & MUY-D30NA-1

30,000 BTU/H WALL-MOUNTED AIR-CONDITIONING SYSTEM

Job Name:	Location:	Date:
Purchaser:	Engineer:	
Submitted to:	For <input type="checkbox"/> Reference <input type="checkbox"/> Approval <input type="checkbox"/> Construction	
System Designation:	Schedule No.:	



Indoor Unit: MSY-D30NA-8



Wireless Remote Controller



Outdoor Unit: MUY-D30NA-1

GENERAL FEATURES

- Catechin and anti-allergy enzyme filters for high air-purification capabilities
- Updated sleek, compact indoor unit design
- Remote-controlled wide airflow enables ideal horizontal air distribution
- Self-check function—onboard diagnostics
- Advanced microprocessor control
- Auto restart following a power outage
- Hand-held Wireless Remote Controller
- Anti-allergy Enzyme Filter
- Limited warranty: five years parts and seven years compressors

ACCESSORIES

Outdoor Unit

- Drain Socket Assembly (MAC-811DS)

Indoor Unit

- Three-pole Disconnect Switch (TAZ-MS303)
- Condensate Pump (230V; SI3100-230)

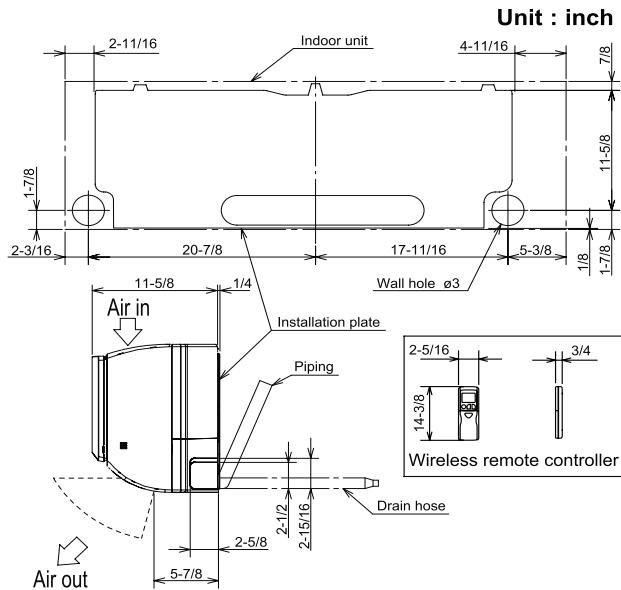
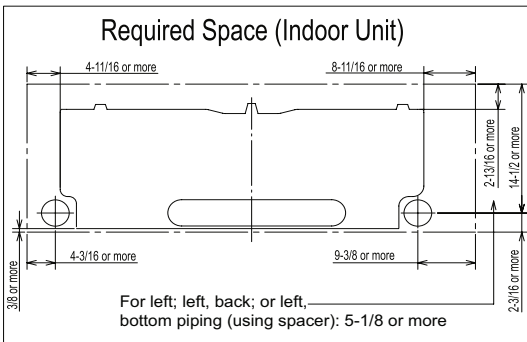
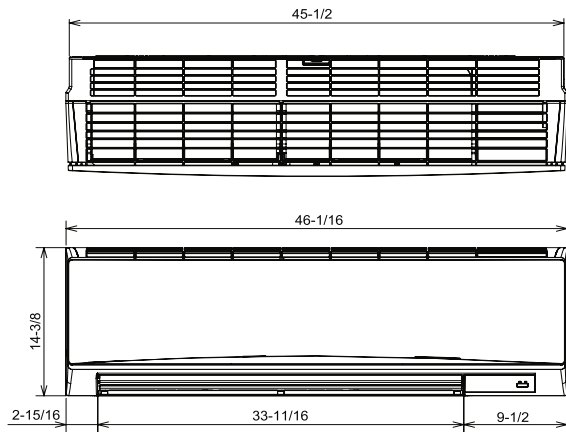
Controller Options

- Wireless Remote Controller Kit (MHK1)*
 - Portable Controller (MCCH1)*
 - Outdoor Air Sensor (MOS1)*
- *See Submittal for information on each option.
- Wired Wall-mounted Controller (PAR-21MAAU requires MAC-333IF)
 - System Control Interface (MAC-333IF)
 - Remote Temperature Sensor (M21-JKO-307)
 - Lockdown Bracket for Handheld Controller (RCMKP1CB)



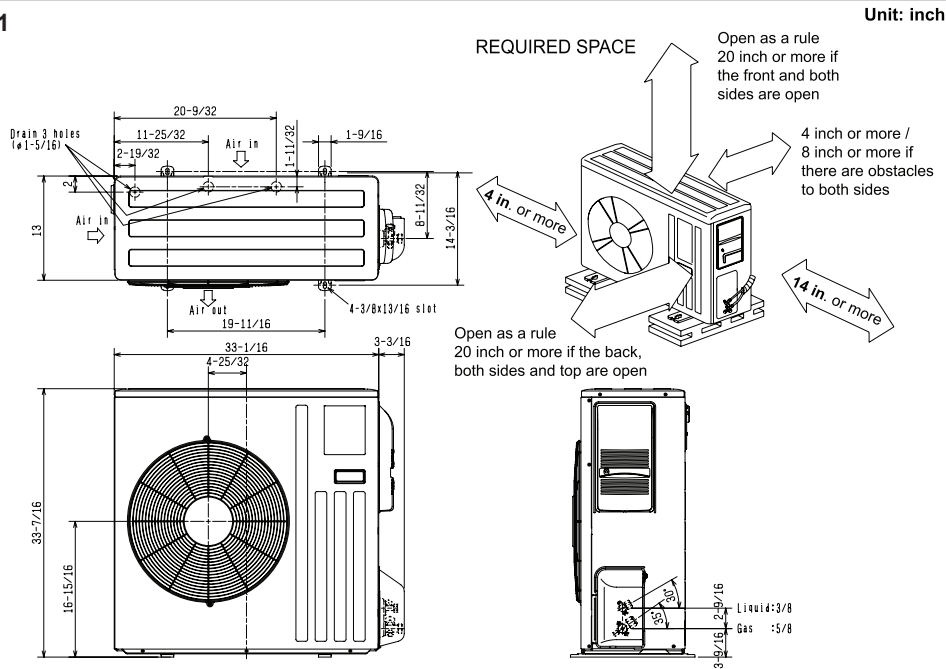
DIMENSIONS: MSY-D30NA-8 & MUY-D30NA-1

MSY-D30NA-8



	Piping	Insulation
Liquid line	$\phi 3/8$ 19-11/16 (Flared connection $\phi 3/8$)	$\phi 1-1/4$ O.D. $\phi 9/16$ I.D.
Gas line	$\phi 5/8$ 16-7/8 (Joint connection $\phi 5/8$)	$\phi 1-15/16$ O.D. $\phi 1-1/4$ I.D.
Joint	$\phi 5/8$ (Flared connection $\phi 5/8$)	$\phi 1-15/16$ O.D. $\phi 1-1/4$ I.D.
Drain hose	Insulation $\phi 1-1/8$ Connected part $\phi 9/16$ O.D.	

MUY-D30NA-1



Intertek



1340 Satellite Boulevard
Suwanee, GA 30024
Tele: 678-376-2900 • Fax: 800-889-9904
Toll Free: 800-433-4822
www.mehvac.com