



**Submittal Data: UMAT42HP230V1AC      42,000 BTUH Ceiling Cassette Heat Pump System**

<b>Job Name</b>	<b>Location</b>	<b>Date</b>
-----------------	-----------------	-------------

<b>Purchaser</b>	<b>Engineer</b>
------------------	-----------------

<b>Submitted To</b>	<b>For</b> <input type="checkbox"/> Reference <input type="checkbox"/> Approval <input type="checkbox"/> Construction
---------------------	---

<b>Unit Designation</b>	<b>Schedule No.</b>
-------------------------	---------------------

- GENERAL FEATURES**
- Multi-Speed Fan
  - 4-way Discharge Air
  - Internal Condensate Drain Pump
  - Wireless Remote Controllers
  - Power Failure Recovery
  - Sentry Condensate Overflow Protection
  - Decorative Grille ( Part# UMAT42GRILLE -Sold Separately)
  - 5 yr. Limited Parts Warranty
  - 7 year Limited Compressor Warranty



**System Ratings**

<b>Cooling</b>		
Rated Capacity		39,500 BTU/H
Capacity Range		11,000-41,000 BTU/H
Power Input (Max)		4,650 W
SEER		16.0
EER		9.0
<b>Heating at 47° F</b>		
Rated Capacity		44,000 BTU/H
Capacity Range		12,000-51,000 BTU/H
Power Input (Max)		4,800 W
HSPF		9.0
COP		2.9
<b>Heating at 17° F</b>		
Rated Capacity		24,400 BTU/H
<b>Operating Range</b>		
Cooling	(Max)	118°F (48°C)
	(Min)	0°F (-18°C)
Heating	(Max)	75°F (24°C)
	(Min)	0°F (-18°C)
<b>Refrigerant Piping Data</b>		
Gas Pipe Size (OD)		5/8-in
Liquid Pipe Size (OD)		3/8-in
Connection Method		Flared
Factory Charge		131.2 oz
Additional Charge		0.6 oz/ft
Pre-Charge Length		25-ft
MAX Refrigerant Pipe Length		164-ft
MIN Refrigerant Pipe Length		10-ft
MAX Refrigerant Pipe Elevation		49-ft

**Indoor Unit Data**

<b>Fan Motor</b>	Output Power	1/3HP
	FLA	0.9 A
<b>Airflow</b>		
	Cooling Wet (Lo/Hi)	730/1095 CFM
	Heating Dry (Lo/Hi)	730/1095 CFM
<b>Air Throw (max)</b>		16.4 ft
<b>Sound Level</b>		
	Cooling (Min/Max)	43/51 db(A)
	Heating (Min/Max)	43/51 db(A)
<b>Dehumidification</b>		1.75 pt/hr
<b>Condensate Drain Lift (Height)</b>		33 in
<b>Power Supply</b>		
	Normal Operational Voltage	208/230 V, 1 Phase, 60 Hz
	Voltage Range	187 - 253 V
	Interconnecting Wire Size (Min)	18-2 AWG / 300V THHN
	MCA	1.5A
	MOCP/Breaker Size	15A

**Outdoor Unit Data**

<b>Compressor</b>		DC Inverter Driven Rotary
	RLA	21.2 A
<b>Refrigerant Type</b>		R410A
<b>Fan Motor</b>	Output Power	2 x 1/6HP
	FLA	2 x 2.0 A
<b>Sound Level</b>		
	Cooling/Heating	61/61 db(A)
<b>Power Supply</b>		
	Normal Operational Voltage	208/230 V, 1 Phase, 60 Hz
	Voltage Range	187 - 253 V
	Main Supply Wire Size	8 AWG
	MCA	31.0A
	MOCP/Breaker Size	50 A

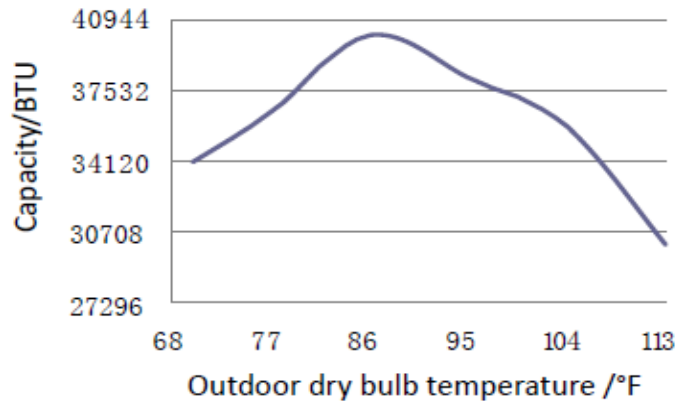


SYSTEM FEATURES	
Inverter Type	G10
Ultra Low Frequency Torque Control	Yes
Power Factor Correction	Yes
Compressor Type	Rotary
Refrigerant Type	R410A
Basepan With Electric Heater	YES
Compressor With Electric Heater	NO
Outdoor Fin Coating	Acrylic Resin
Intelligent Defrosting	YES
Intelligent Preheating	YES
Low Voltage Startup	YES
Memory/Power Failure Recovery	YES
Self Diagnosis	YES
Low Ambient Cooling	YES
Internal Condensate Pump	YES
XK60 Wired Controller Interface	YES
Wi-Fi Interface	NO
Indoor Fan Type	Crossflow
Multi Fan Speeds	7 Speeds
LED Display Indoor Unit	YES
Advance Filter	Optional
Auxiliary Electrical Heater	NO
Ventilation (Outdoor Air)	NO

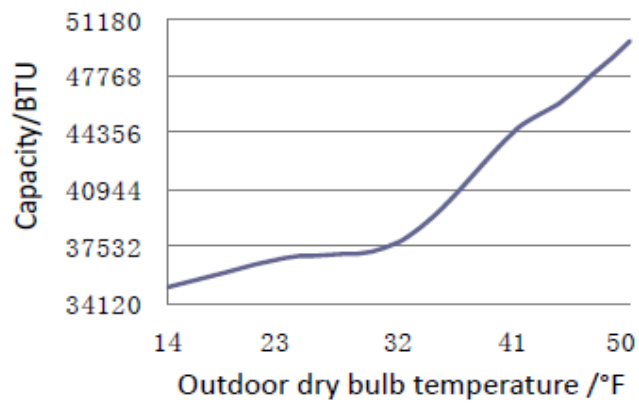
REMOTE CONTROLLER FUNCTIONS	
Auto Mode	YES
Auto Fan	YES
Auto Swing (Horizontal Auto Swing)	YES
Auto Swing (Vertical Auto Swing)	YES
Clock on Remote Controller	YES
Dry Mode	YES
Dry Anti-Mildew (X-Fan) Mode	YES
Energy Saving Mode	NO
Dirty Filter Alert	NO
I Feel Function	YES
Lock on Remote Controller	YES
Quiet Mode	YES
Room Temperature Display	NO
Sleep Mode	YES
4 Sleep Modes Options	YES
Timer Mode	YES
Turbo Mode	YES
Display On/Off Control	YES
Freeze Guard Mode	YES

### EXTENDED RATINGS

#### COOLING PERFORMANCE

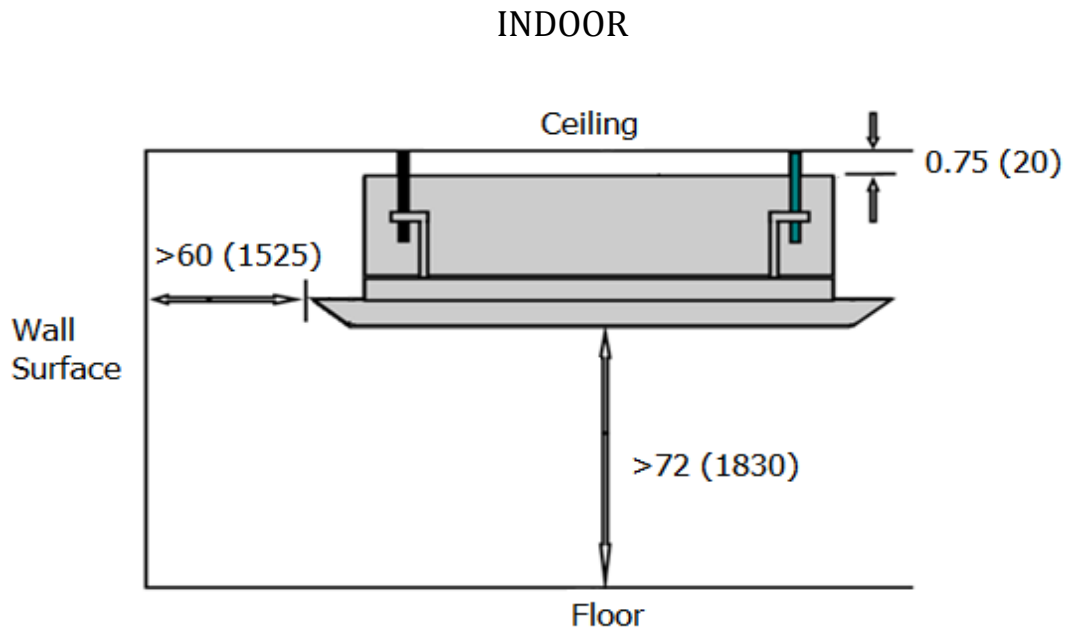


#### HEATING PERFORMANCE

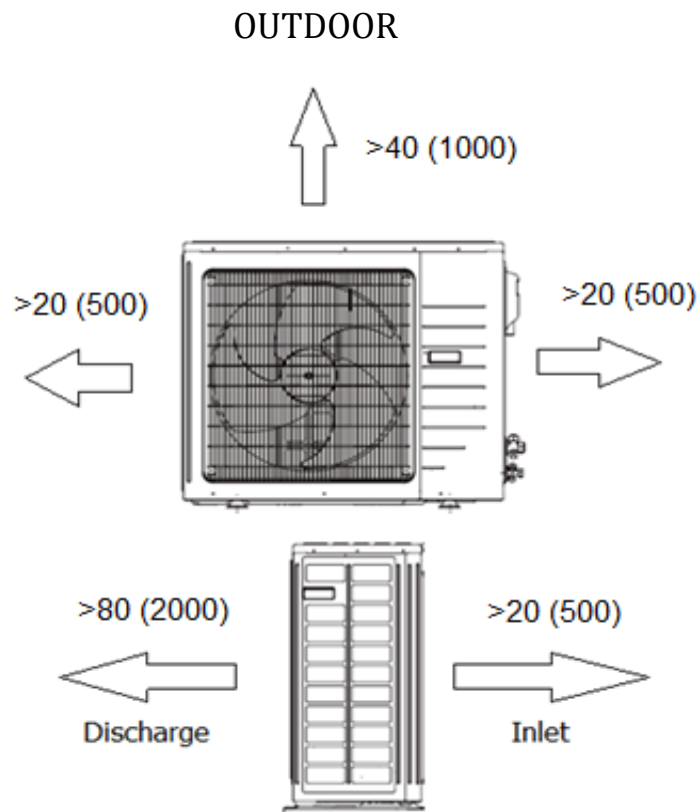


### MINIMUM SPACING REQUIREMENTS

Units: inch (mm)



Units: inch (mm)

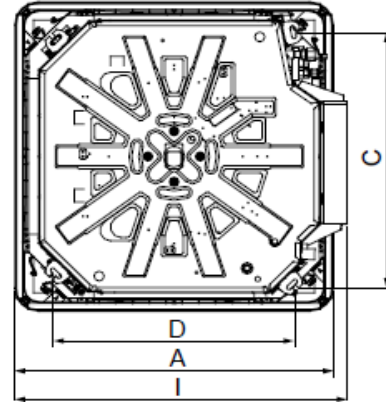
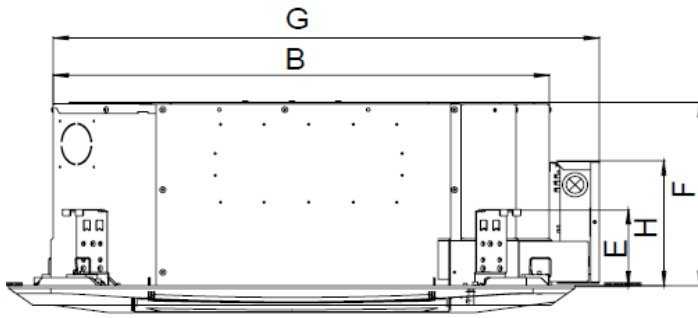


## DIMENSIONAL SPECIFICATIONS

UMAT42HP230V1AC

### INDOOR UNIT DIMENSIONS & WEIGHTS

Units: inch (mm)



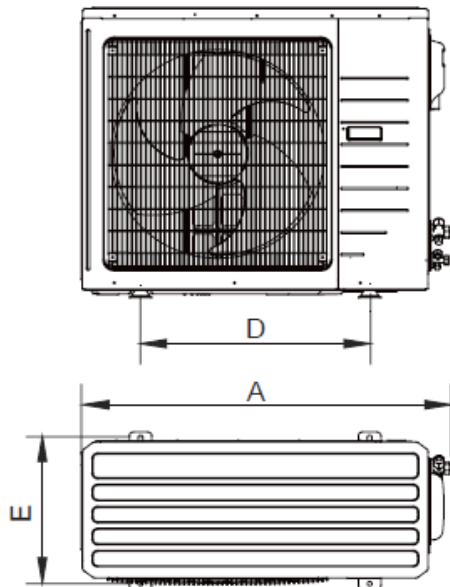
A	B	C	D	E	F	G	H	I
37.375 (950)	32.75 (833)	30.75 (780)	26.75 (680)	6.25 (160)	9.5 (240)	36.125 (917)	8.5 (215)	39.125 (993)

Net Weight	70.4 lbs
Shipping Weight	96.8 lbs

Liquid Line Valve	3/8-in OD Flared
Gas Line Valve	5/8-in OD Flared
Drain Connector	1-in OD

### OUTDOOR UNIT DIMENSIONS & WEIGHTS

Units: inch (mm)



A	37.75 (958)
B	16.25 (412)
C	53.125 (1349)
D	22.5 (572)
E	14.75 (376)

Net Weight	209.0 lbs
Shipping Weight	232.0 lbs

Liquid Line Valve	3/8-in OD Flared
Gas Line Valve	5/8-in OD Flared

**Notes:**

1. Recommended Communication Wire Type 18-2 AWG Stranded Copper THHN 300V Wire
2. Power wiring size must comply with applicable national and local codes.
3. Test conditions are based on AHRI 210/240.

Specifications are subject to change without notice. Manufacturer reserves the right to discontinue or modify specifications or designs without notice or without incurring obligations. All rights reserved.