

Submittal Data: CONS12HP230V1AF 12,000 BTU/H Mini Floor Console Unit

Job Name Location Date

Purchaser Engineer

Submitted To For Reference Approval Construction

Unit Designation Schedule No.

GENERAL FEATURES

- Quiet Operation -Multi-Speed Fan
- Swing Louvers
- Wireless Remote Controllers
- Remote Control Lockout
- Limited 5 yr. Parts Warranty



System Ratings

Cooling*	
Rated Capacity	11,946 BTU/H
Heating*	
Rated Capacity	12,969 BTU/H
Sound Pressure (Hi/Lo)**	
Cooling	42/27 dbA
Heating	42/27 dbA
Air Flow (max)	
Indoor Fan	353 CFM

Physical Specifications

Unit Dimensions (LxHxD)	27.5 x 24.0 x 8.5 -in 700 x 600 x 215-mm
Weight (Net/Shipping)	33/40 LBS
Drain Size (OD)	0.67-in 17-mm

Electrical Ratings

Fan Motor	
Output Power	30 W
FLA	0.36 A
Power Supply	
Normal Operational Voltage	208/230 V, 1 Phase, 60 Hz
Voltage Range	187 - 253 V
MCA	1.0 A
Interconnecting Cable Wire Size	14-4 AWG

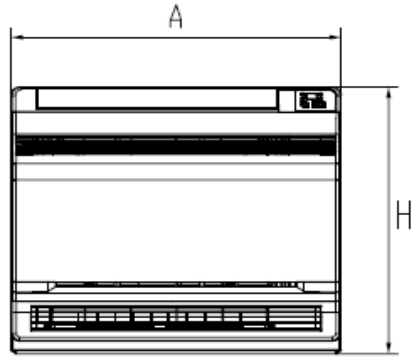
Refrigerant Piping Data

Refrigerant Type	R410A
Gas Pipe Size (OD)	3/8-in
Liquid Pipe Size (OD)	1/4-in
Connection Method	Flared
* Test conditions are based on AHRI 210/240.	
**Sound Power ratings are per AHRI 270 and AHRI 350	



12,000 BTUH MODEL

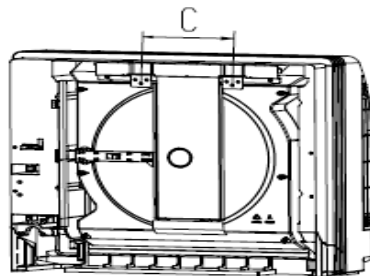
Model # CONS12HP230V1AF 12,000 BTUH 230V



Front



Side



Back

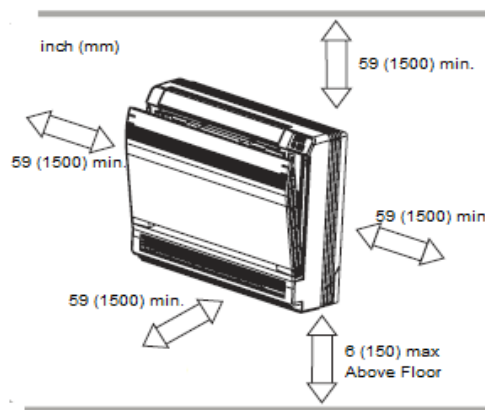
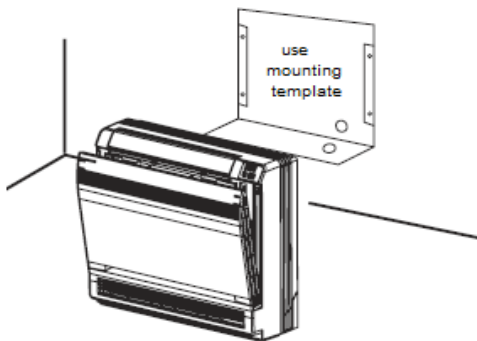
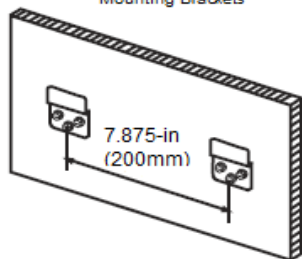
Dimensions

	A	B	C	H
(mm)	700	215	200	600
(inches)	27.6	8.5	7.875	23.6

Note: Size refrigerant lines based on evaporator port sizes.

MINIMUM CLEARANCES

Mounting Brackets



Notes:

1. Recommended Interconnecting Cable Type Stranded Bare Copper Conductors THHN 600V Unshielded Wire
2. Power wiring cable size must comply with applicable national and local codes.
3. Test conditions are based on AHRI 210/240.



Specifications are subject to change without notice. Manufacturer reserves the right to discontinue or modify specifications or designs without notice or without incurring obligations. All rights reserved.