

Polymer Architectural Grille Accessory For Use With Packaged Terminal Air Conditioner or Heat Pump

Installation Instructions

INTRODUCTION

These instructions cover the installation of the Polymer Architectural Grille accessory for the packaged terminal air conditioner and heat pump. The grille securely attaches to the rear of the wall sleeve with four pre-set stainless steel screws.

BEFORE INSTALLTION

The wall sleeve center support and rear closure panel or weather barrier must be removed to provide clear access for proper grille installation. See Fig 1

IMPORTANT - If grille is being attached to a polymer or plastic wall sleeve, extended foam air baffles must be installed on the grille. Extended foam air baffles are included with the polymer or plastic wall sleeve.

CAUTION

Improper installation of accessory grille could result in condenser (outdoor) air recirculation. This will degrade performance of the unit and possibly shorten product life. Manufacturer does not assume responsibility for improper installation of grille resulting with condenser air recirculation.

INSTALLATION

Step 1 - Check For Proper Orientation

Before attempting to install grille, be sure to check it for proper orientation. The grille should be oriented with louvers pitching downward.

Step 2 - Check For Mounting Screws

Verify the grille has four mounting screws factory pre-set on the grille.

WARNING

When installing grille, be sure to securely hold with 2 hands to prevent it from falling and causing injury or damage.

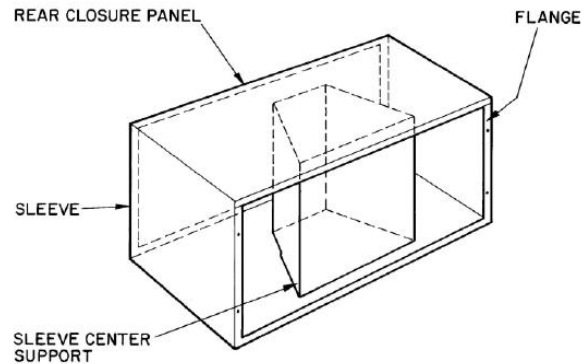


Fig. 1 - Wall Sleeve with Center Support and Rear Closure Panel

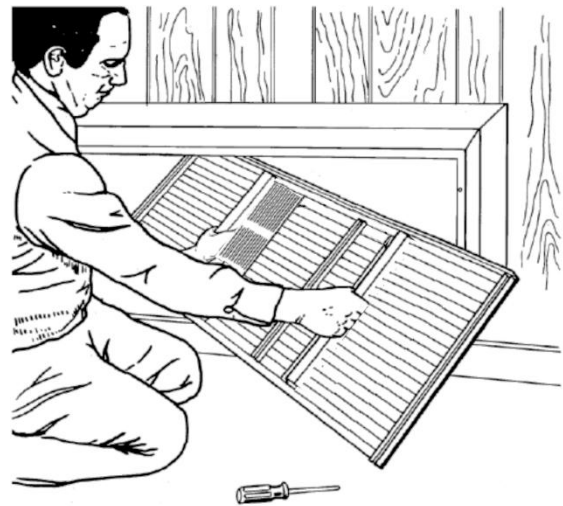


Fig. 2 - Aligning Grille with Wall Sleeve

Step 3 - Aligning Grille

Firmly grasp grille with 2 hands. Tilt grille to insert through wall sleeve and out the back of the wall sleeve. See Fig. 2

Manufacturer reserves the right to discontinue, or change at any time, specifications or designs without notice and without incurring obligations.

Step 4 - Mounting Grille To Sleeve

Line up and insert grille mounting screws into keyhole slots on the back of wall sleeve. See Fig. 3

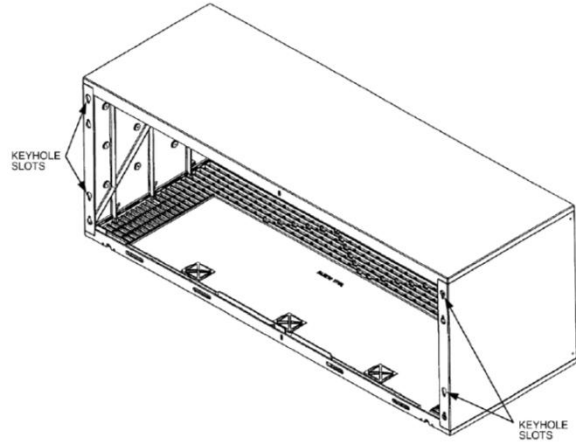


Fig. 3 - Back of Wall Sleeve

Step 5 - Securing Grille

Tighten the four mounting screws to secure the grille to the wall sleeve. See Fig. 4

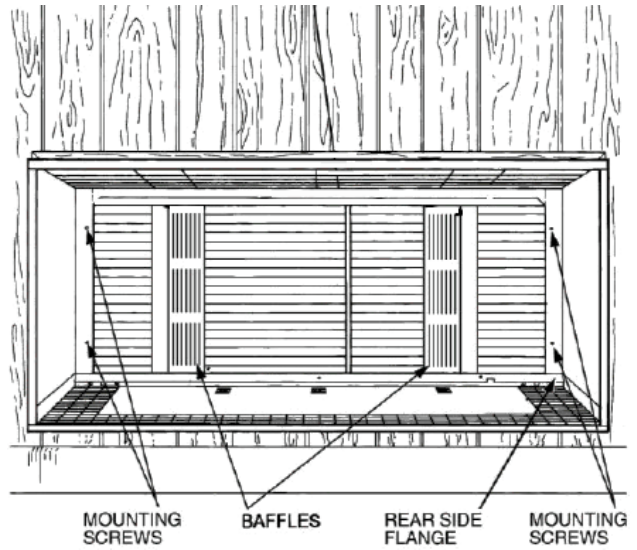


Fig. 4 - Securing Grille to Wall Sleeve